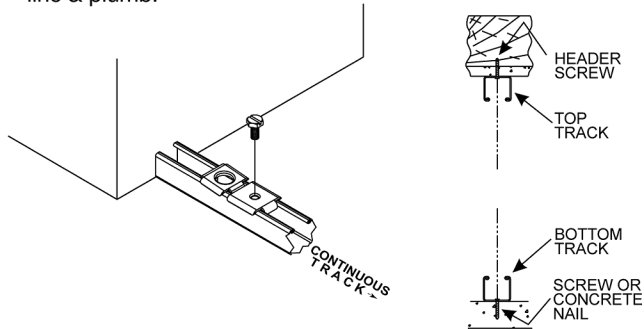




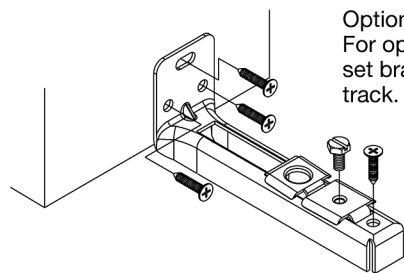
INSTALLATION INSTRUCTIONS

1 Install Track

Center track in opening width. Backset the front edge of track 1/2" from desired location of mirror face. Fasten track with screws provided. For 2 panel doors, position track with the track socket closest to jamb to which doors will open. Be sure tracks are in line & plumb.

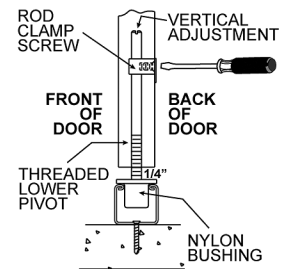


Optional Bottomless Track Bracket -
For optional bottomless track bracket, set bracket on floor directly below top track. Fasten bracket to the wall using three #10 x 1 1/4" pan head screws. Secure to floor using a #10 x 1 1/4" pan head screw.



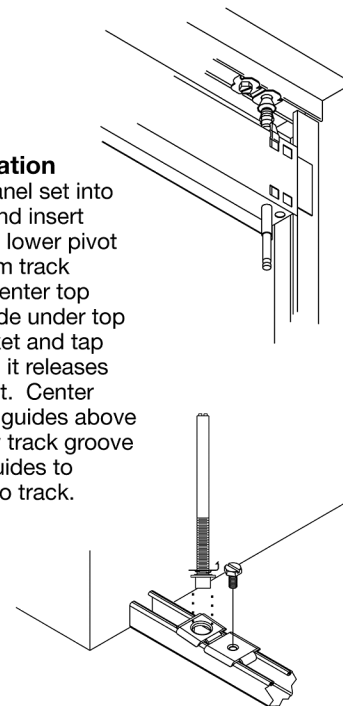
2 Adjustable Lower Pivot

Lay mirror face down on a surface that will not damage mirror. Locate the adjustable lower pivot assembly. Loosen the rod clamp screw and screw adjustable lower pivot until nylon bushing is approximately 1/4" below the bottom of the door.



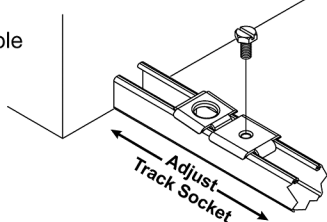
3 Installation

Lift one panel set into opening and insert adjustable lower pivot into bottom track socket. Center top spring guide under top track socket and tap guide until it releases into socket. Center remaining guides above and below track groove and tap guides to release into track.



4 Adjustment

To make tops of doors parallel to top track, begin adjustment with doors in closed position. Loosen the upper or lower track sockets and slide in desired direction. To make the height of the panels even, raise or lower doors by adjusting the adjustable lower pivot in desired direction. **Be sure to tighten the rod clamp assembly when adjustments are complete.**



5 Attach Handle

Attach handle to the pivot panel in between the two mirrors. Standard handle location is 34" for 80 1/2" doors and 46" for 96" doors from bottom of door to bottom of handle. Peel backing from handle and press firmly against pivot panel.

